

CM-BU18

Wired Covert CMOS Camera Kit

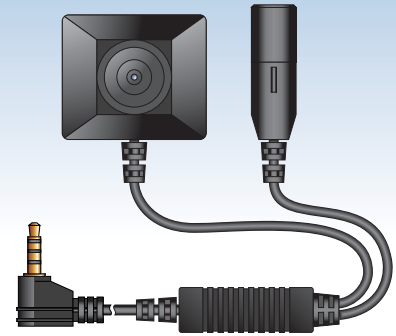
Feature

- * **Built-in Interchangeable NTSC/PAL switch**
- * **Built-in Microphone**
- * **High resolution**
- * **Compatible with wire controller and remote controller**
- * **Miniature size**
- * **Button design to undergo disguise purpose**
- * **Work in dark**
- * **Interchangeable covert head**
- * **Easy Intallation with standard analog jack**

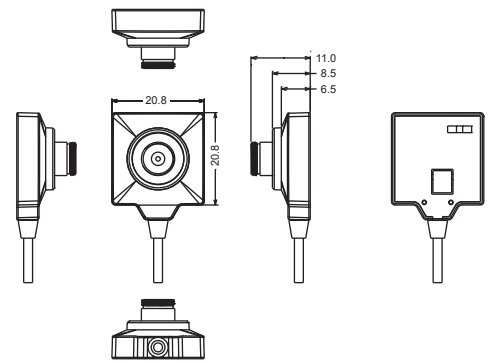
Specification

Item Number	CM-BU18(NTSC) & CM-BU18(PAL)
Video system	NTSC & PAL
Number of effective pixels	NTSC:720H x 480V; PAL:720H x 756V
Image sensor	1/4 inch CMOS
Resolution	480 TV Line
MIN Illumination	0.3 Lux at F2.0
Focal length	4.3 mm
Lens angle	78°
Sensitivity	>11.5v/lux-s at 550nm
S/N Ratio	> 45 dB
Pixel size	5.6µm x 5.6µm
Video Output	1.0V p-p 75 Ω
Camera current consumption	0.5W
Operating temperature	-10°C to +60°C
Storage temperature	-10°C to +60°C
Power supply	DC 5V
Dimension (Incl Lens)	21(W)x21(H)x11(T) mm
Weight	20 g

*Specification may be subjected to change without notice

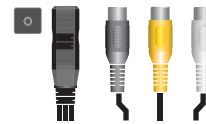


Dimensions



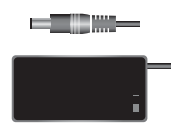
Standard Accessories

S-PJ3R



Switching Cable

S-09VBTH



Battery Holder

BU-SR SET



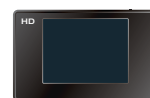
Covert Button/Screw

BU-PACK & SR-PACK



Spare Button/Screw

Optional Accessories



Portable DVR Series